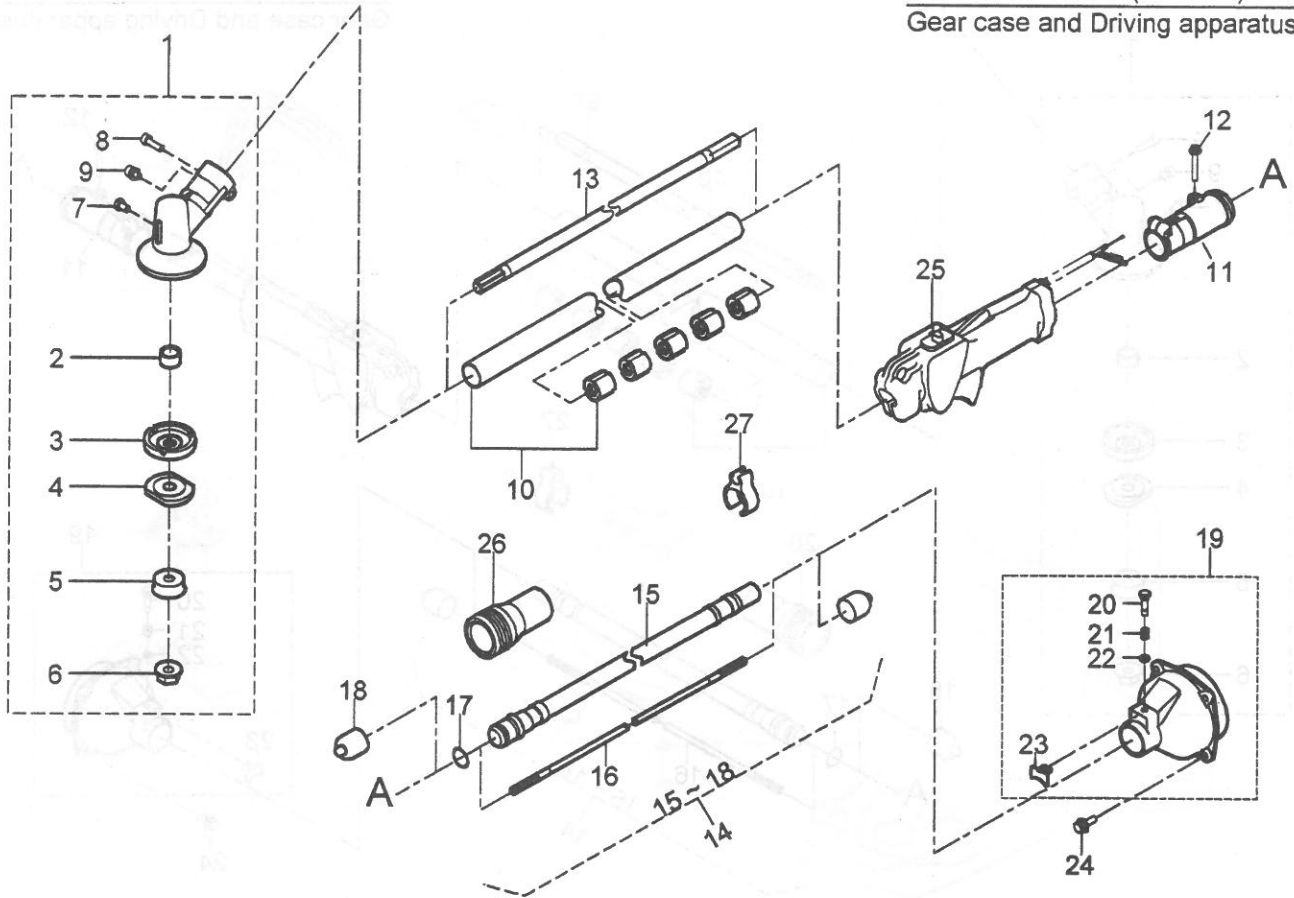


VRS441 (TL43/52)
Gear case and Driving apparatus



46013-787

Oct. 2000

1 / 3

REF. No.	PARTS NO.	PARTS NAME	Q'TY	INCLUDING			REMARKS
1	71008 320	GEAR CASE ASS'Y	1				
2	61001 119	SPLINE SLEEVE	1				
3	11001 150	HOLDER(A)	1				
4	11002 126	HOLDER(B)	1				
5	36068 125	GUARD	1				
6	31001 106	SAW LOCK NUT	1				
7	322N 0810	(+)HEXAGON BOLT	1				M8 × 10
8	412N 0620	SOCKET SCREW	1				M6 × 20
9	413N 0515	SOCKET SCREW(W/SW)	1				M5 × 15
10	71130 181	MAIN PIPE C.P.	1				
11	71077 114	FLEX. CONNECTOR ASS'Y	1				
12	423N 0535	SOCKET SCREW FLANGE	1				M5 × 35
13	64011 231	MAIN SHAFT	1				
14	71015 176	FLEX. ASS'Y	1				
15	64007 156	FLEX. CASE C.P.	1				
16	64021 135	FLEX. SHAFT	1				
17	217B 2500	O-RING	1				
18		CAP	2				
19	71010 230	CLUTCH CASE ASS'Y	1				
20	31034 143	PIN	1				
21	68013 135	SPRING	1				
22	816V 0400	E-SNAP RING	1				φ 4
23	36065 254	COVER	1				
24	416N 0620	SOCKET SCREW(W/SW,PW)	4				M6 × 20
25	71056 219	THROTTLE LEVER ASS'Y	1				

